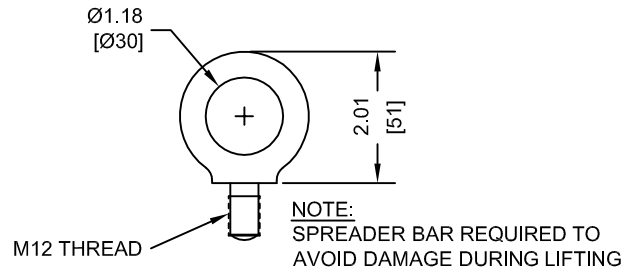


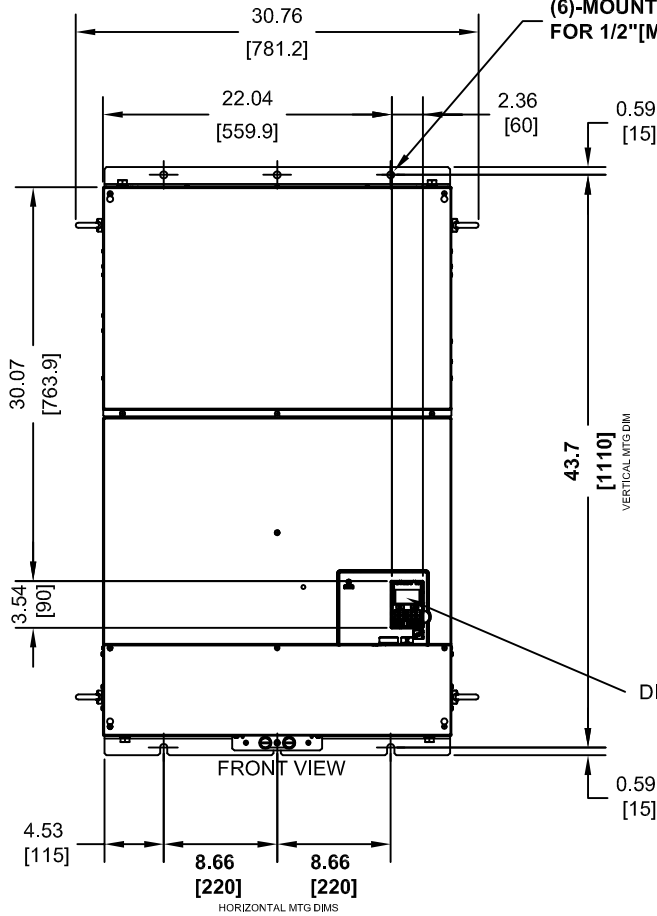
(3) EXTERNAL COOLING FANS



LIFTING AND EYEBOLT DETAILS

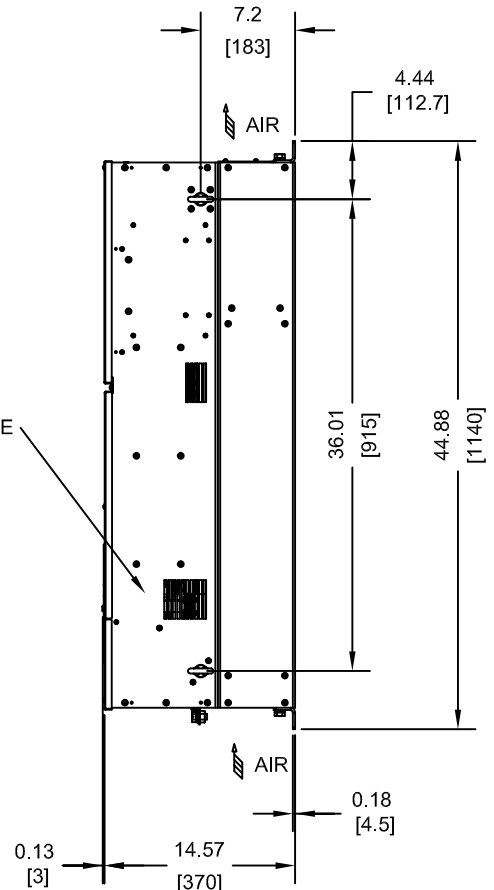


(6)-MOUNTING HOLES FOR 1/2" [M12] SCREWS

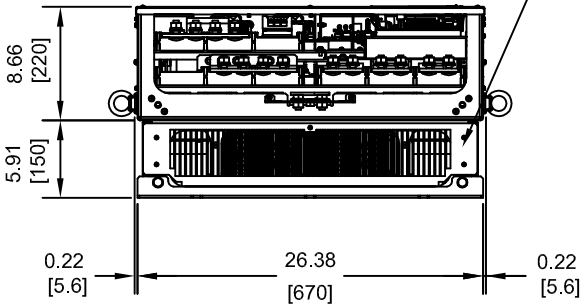


NAMEPLATE

DIGITAL OPERATOR



OPTIONAL CAPACITOR COVER
WHEN USING AN EXTERNAL MOUNT HEATSINK, UL COMPLIANCE REQUIRES COVERING EXPOSED CAPACITORS IN THE MAIN CIRCUIT TO PREVENT INJURY. CONSULT MANUAL FOR DETAILS.



MODEL # CIMR-DU	VOLTAGE THREE-PHASE (VAC)	OUTPUT CAPACITY (kW)	WEIGHT LBS (Kg)	HEAT LOSS (W) (Fc=2kHz)		
				INT	EXT	TOT
4A0270AXX	380/480	270	403 (183)	1323	2477	3799
4A0370AXX		370	427 (194)	1852	3705	5557

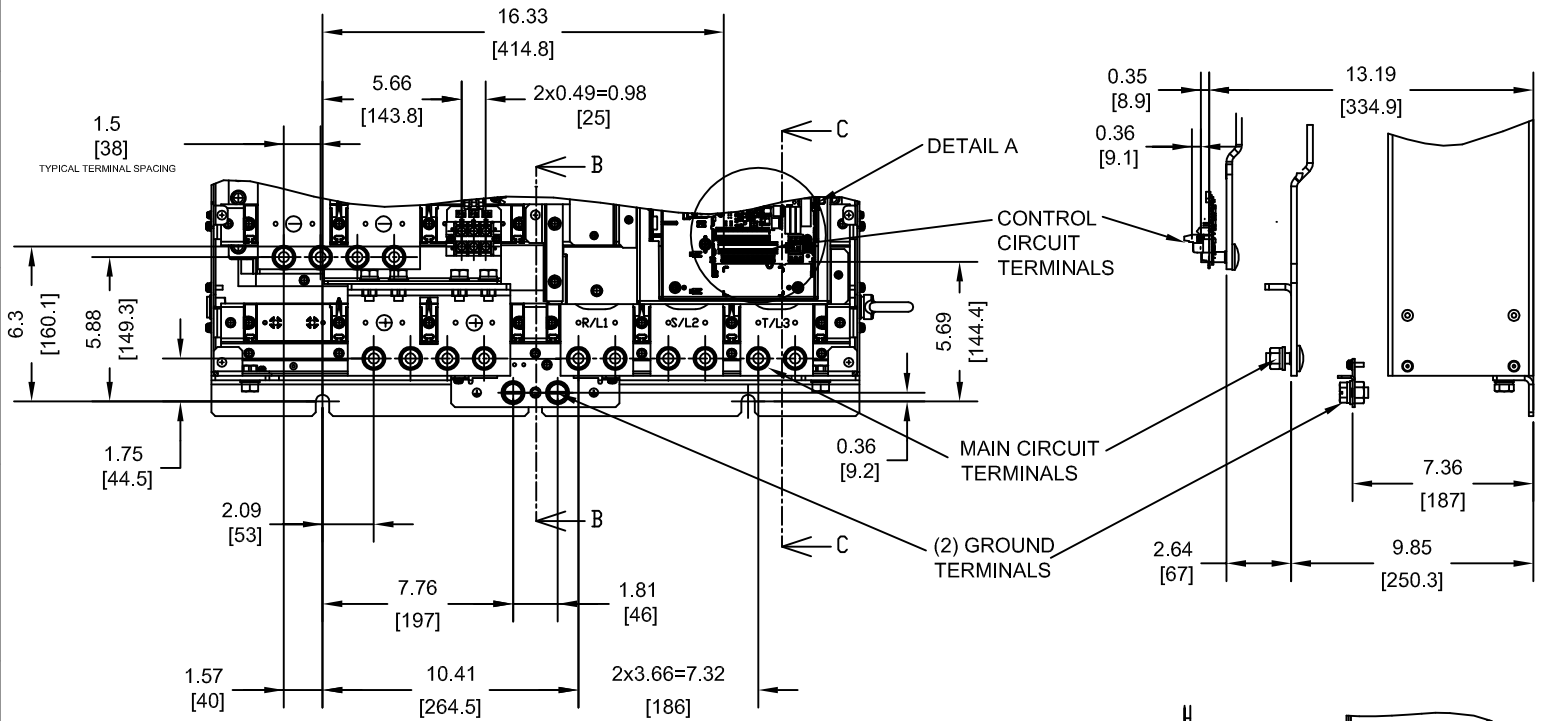
NOTE:
XX DENOTES AA-ZZ

INT=INTERNAL COMPONENTS
EXT=EXTERNAL HEATSINK
TOT=TOTAL

FOR ADDITIONAL DETAILS AND SPECIFICATIONS, CONSULT MANUAL

TOLERANCES / REFERENCES:		<p>THIS DOCUMENT AND INFORMATION CONTAINED IN IT ARE CONFIDENTIAL, AND CANNOT BE COPIED OR DISCLOSED IN WHOLE OR IN PART WITHOUT THE EXPRESS WRITTEN CONSENT OF YASKAWA AMERICA, INC.</p>	DRAWN: J. MATTAS DATE: 7-18-14	TITLE: D1000 DIMENSION DRAWING FRAME SIZE 7 IP00 ENCLOSURE 4A0270A & 4A0370A	
UNITS: IN [mm]			SCALE: 1:15	CHECKED: J. PIOTROWSKI DATE: 7-22-14	SIZE: A REVISION: R00 PAGE: 1 of 3
			TECH: J. BORJA DATE: 7-24-14	APPROVED: J. CAIRO DATE: 9-19-14	DRAWING #: DD.D1K.FR7.IP00
			ORIGINAL DESIGN: -	DATE: -	

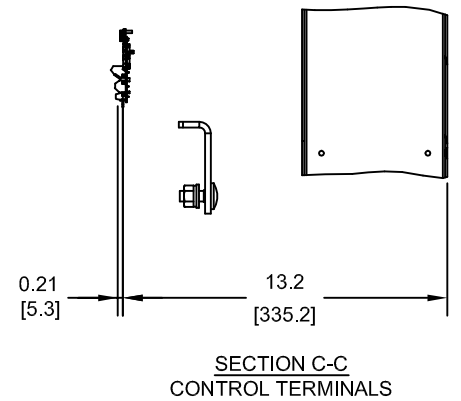
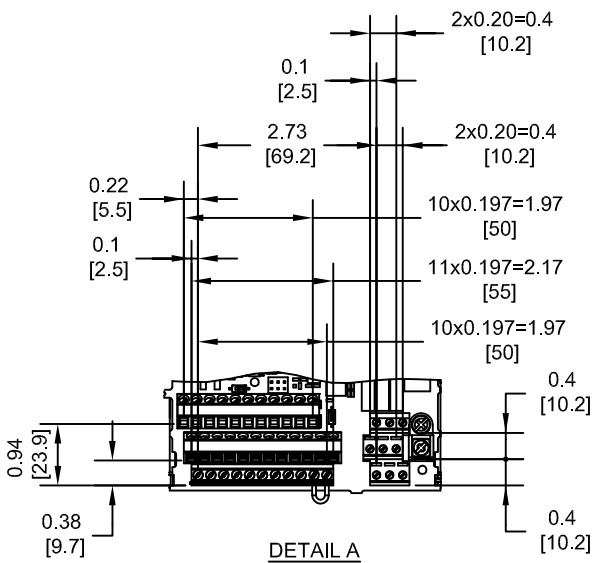
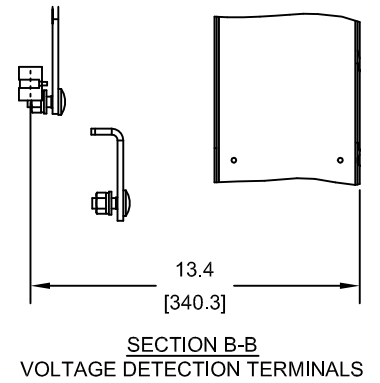
TERMINAL AND WIRING DETAILS (SCALE 1:8)



TERMINAL AND WIRE SPECIFICATIONS FOR MAIN CIRCUIT AND GROUND

MODEL # CIMR-DU	TERMINAL SYMBOL	TERMINAL SCREW	CLAMPING TORQUE lb.in.(N.m.)
4A0270A 4A0370A	R/L1, S/L2, T/L3, ⊖, ⊕	M12	283 TO 354 (32 TO 40)
	r1/Ø11, s1/Ø21, t1/Ø31	M4	9.7 TO 10.6 (1.1 TO 1.2)
	⊖	M12	283 TO 354 (32 TO 40)

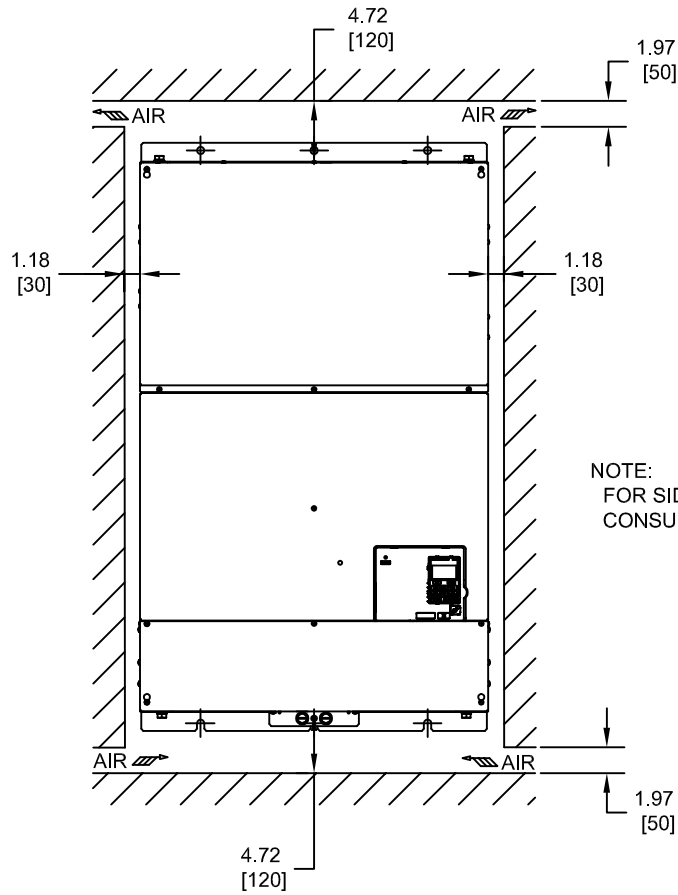
NOTE: REFER TO APPLICABLE CODES FOR PROPER WIRE TYPE AND SIZE



FOR ADDITIONAL DETAILS AND SPECIFICATIONS, CONSULT MANUAL

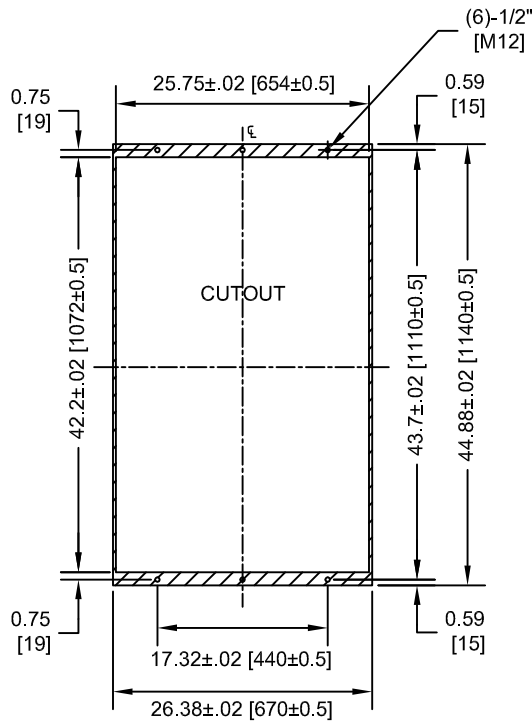
TOLERANCES / REFERENCES:			DRAWN: J. MATTAS CHECKED: J. PIOTROWSKI TECH: J. BORJA APPROVED: J. CAIRO ORIGINAL DESIGN: -	DATE: 7-18-14 DATE: 7-22-14 DATE: 7-24-14 DATE: 9-19-14 DATE: -	TITLE: D1000 DIMENSION DRAWING FRAME SIZE 7 IP00 ENCLOSURE 4A0270A & 4A0370A
UNITS: IN [mm]	SCALE: BY VIEW		THIS DOCUMENT AND INFORMATION CONTAINED IN IT ARE CONFIDENTIAL, AND CANNOT BE COPIED OR DISCLOSED IN WHOLE OR IN PART WITHOUT THE EXPRESS WRITTEN CONSENT OF YASKAWA AMERICA, INC.	SIZE: A REVISION: R00 PAGE: 2 of 3	DRAWING #: DD.D1K.FR7.IP00

MINIMUM INSTALLATION CLEARANCES (SCALE 1:15)



NOTE:
FOR SIDE-BY-SIDE MOUNTING
CONSULT MANUAL

PANEL CUTOUT FOR EXTERNAL HEATSINK
MOUNTING CONFIGURATION (SCALE 1:20)



NOTE:
EXPOSED HEATSINK DEPTH
D=5.91" MINUS PANEL THICKNESS

FOR ADDITIONAL DETAILS AND SPECIFICATIONS, CONSULT MANUAL

TOLERANCES / REFERENCES:			DRAWN: J. MATTAS CHECKED: J. PIOTROWSKI TECH: J. BORJA APPROVED: J. CAIRO ORIGINAL DESIGN: -	DATE: 7-18-14 DATE: 7-22-14 DATE: 7-24-14 DATE: 9-19-14 DATE: -	TITLE: D1000 DIMENSION DRAWING FRAME SIZE 7 IP00 ENCLOSURE 4A0270A & 4A0370A
UNITS: IN [mm]	SCALE: BY VIEW		THIS DOCUMENT AND INFORMATION CONTAINED IN IT ARE CONFIDENTIAL, AND CANNOT BE COPIED OR DISCLOSED IN WHOLE OR IN PART WITHOUT THE EXPRESS WRITTEN CONSENT OF YASKAWA AMERICA, INC.	SIZE A	REVISION R00
			DRAWING #:		DD.D1K.FR7.IP00